



润新官方微信公众号
Runxin WeChat
Official Account



泳池过滤阀 产品手册

SWIMMING POOL FILTER VALVE PRODUCT MANUAL

专利号 Patent No.: ZL202120625248.2

陶瓷硬密封
CERAMIC HARD SEALING



温州市润新机械制造有限公司

WENZHOU RUNXIN MANUFACTURING MACHINE CO.,LTD.

地址: 浙江省温州市鹿城区山福镇润新路169号 邮编: 325021

电话: 400-000-2895 传真: 0577-88633258

邮箱: sales@run-xin.com 网址: www.run-xin.com

ADD.: NO.169, RUNXIN ROAD, SHANFU TOWN, WENZHOU, ZHEJIANG, CHINA

Tel: +86-577-88630038 +86-577-88576512 E-mail: sales@run-xin.com

Fax: +86-577-88633258 Http://www.run-xin.com P.C.:325021



国外社媒账号 Each social media account: Runxin Wenzhou

温州市润新机械制造有限公司

WENZHOU RUNXIN MANUFACTURING MACHINE CO.,LTD.

2026-05

COMPANY PROFILE

企业简介

传统泳池过滤控制主要有两种方式，一种是采用橡胶与塑料件密封的手动泳池过滤阀，它为软密封结构，不耐磨损、容易泄漏，为防止切换工位过程中橡胶件脱落，冲洗时需先关闭水泵，再按下手柄转动切换工位，操作很麻烦；另一种是采用多个手动蝶阀或球阀，由控制器控制自动阀来实现所需功能，管路安装复杂，售后维护不方便。

润新公司位于泳池之乡——温州，在温州市山福镇和丽水经济开发区建有生产基地，厂区占地130多亩、建筑面积20万多平方米。润新公司掌握特种陶瓷加工、成型、烧结到产品流道、结构设计等技术，于2003年自主开发出特种陶瓷端面密封结构的水处理系统用控制阀（称“润新阀”），打破国外产品的长期垄断，出口全球161个国家和地区，产品适应性和质量可靠性得到广泛的市场验证。

2021年，润新公司利用特种陶瓷密封技术开发出特泳池过滤阀F138、F139、F152系列（专利号：ZL202120625248.2），流量为12-37m³/h，可选侧装连接、顶装法兰或顶装卡箍连接，其定片采用高硬度、高平面度的特种陶瓷密封片，动片采用高强度合成材料，动片和定片相互贴合旋转实现工位切换，可直接带压操作，无需关闭进水，操作方便；特种陶瓷耐杂质磨损，使用寿命长，利于泳池过滤设备稳定运行，降低维护成本。

There are mainly two traditional methods for swimming pool filtration control. One is the manual swimming pool filter valve that uses rubber and plastic components for sealing. It features a soft sealing structure, which is less wear resistant and prone to leakage. To prevent the rubber components from falling off during the switching process, the water pump must be turned off first, and then the handle must be pressed down to switch positions. This makes the operation quite cumbersome. The other method involves using multiple manual butterfly valves or ball valves, with automatic valves controlled by a controller to achieve the desired functions. This approach has complex piping installation and inconvenient after-sales maintenance.

Runxin is located in Wenzhou, the Hometown of Swimming Pools, with production bases in Shanfu Town, Wenzhou, and Lishui Economic Development Zone. The factory premises cover over 86,667 square meters and have a total floor area exceeding 200,000 square meters. Runxin has mastered technologies ranging from the processing, forming, and sintering of special ceramics to the design of product flow channels and structures, and has developed its own unique style. In 2003, Runxin independently developed a control valve with a special ceramic hermetic sealing structure for water treatment systems, known as the Runxin Valve. This innovation broke the long-term monopoly of foreign products and has been exported to 161 countries and regions worldwide. The adaptability and reliability of the product have been widely verified by the market.

In 2021, Runxin developed the F138, F139, F152 series of swimming pool filter valves using special ceramic sealing technology (Patent No.: ZL202120625248.2). These valves have a flow rate of 12-37 m³/h and offer optional side-mounted connections, top-mounted flanges, or top-mounted clamp connections. The fixed disk of the valve uses a special ceramic sealing disk with high hardness and high planarity, while the moving disk is made of high-strength synthetic material. The rotation of the moving disk against the fixed disk enables position switching, allowing direct operation under pressure without the need to shut off the water supply, making the operation more convenient. The special ceramic material is highly resistant to wear from impurities, ensuring a long service life, stable operation of the pool filtration equipment, and reduced maintenance costs.



润新公司山福镇厂区
Runxin Shanfu Town Factory Area

润莱丽水厂区
Runlucky Lishui Factory Area

COMPANY HONORS

企业荣誉

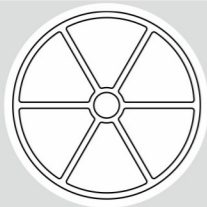
CATALOGUE 目录

01	企业简介 Company Profile	-----	01-02
02	企业荣誉 Company Honors	-----	03
03	产品结构特点 Structural Characteristics	-----	05
04	产品分类 Classification	-----	05
05	润新泳池过滤阀型号规格表 Swimming Pool Filter Valve Model Specification List	-----	06
06	产品介绍 Products Introduction	-----	07-16
	 顶装卡箍连接 Top-mounted Clamp Connection		09-10
	 F139AS (手动Manual)		09
	 F139A (自动Automatic)		10
	 顶装法兰连接 Top-mounted Flange Connection		11-12
	 F139B (自动Automatic)		11
	 F152B (自动Automatic)		12
	 侧装连接 Side-mounted Connection		13-15
	 F138C (自动Automatic)		13
	 F139C (自动Automatic)		14
	 F152C (自动Automatic) NEW		15
	 泳池一体化设备 Integrated Swimming Pool Equipment		16
07	应用案例 Application Cases	-----	17

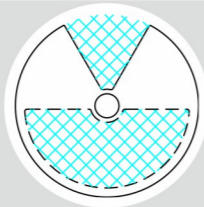
产品结构特点

Structural Characteristics

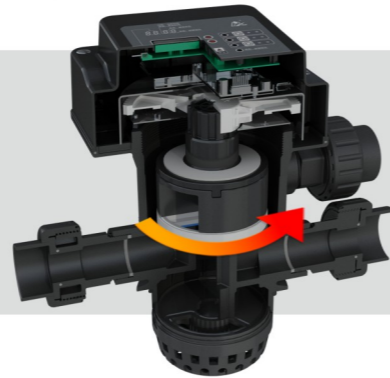
- 定片采用高硬度、高平面度的特种陶瓷材料，经超高温烧结而成
- 动片采用高强度合成材料
- 动定片相互贴合旋转实现工位启闭，可直接带压操作，无需关闭进水
- 特种陶瓷的硬度仅次于钻石、蓝宝石，耐磨损
- Fixed disk is made from high-hardness and high-flatness special ceramic materials, which is made by high-temperature sintering.
- Moving disk is made from high-strength synthetic materials
- The moving disk and fixed disk are high-precision fitting and relative rotation to achieve positions opening and closing, which can be directly operated under pressure without turning off the water inlet.
- The hardness of special ceramic is second only to diamond and sapphire, and it is wear resistant.



定片
Fixed disk

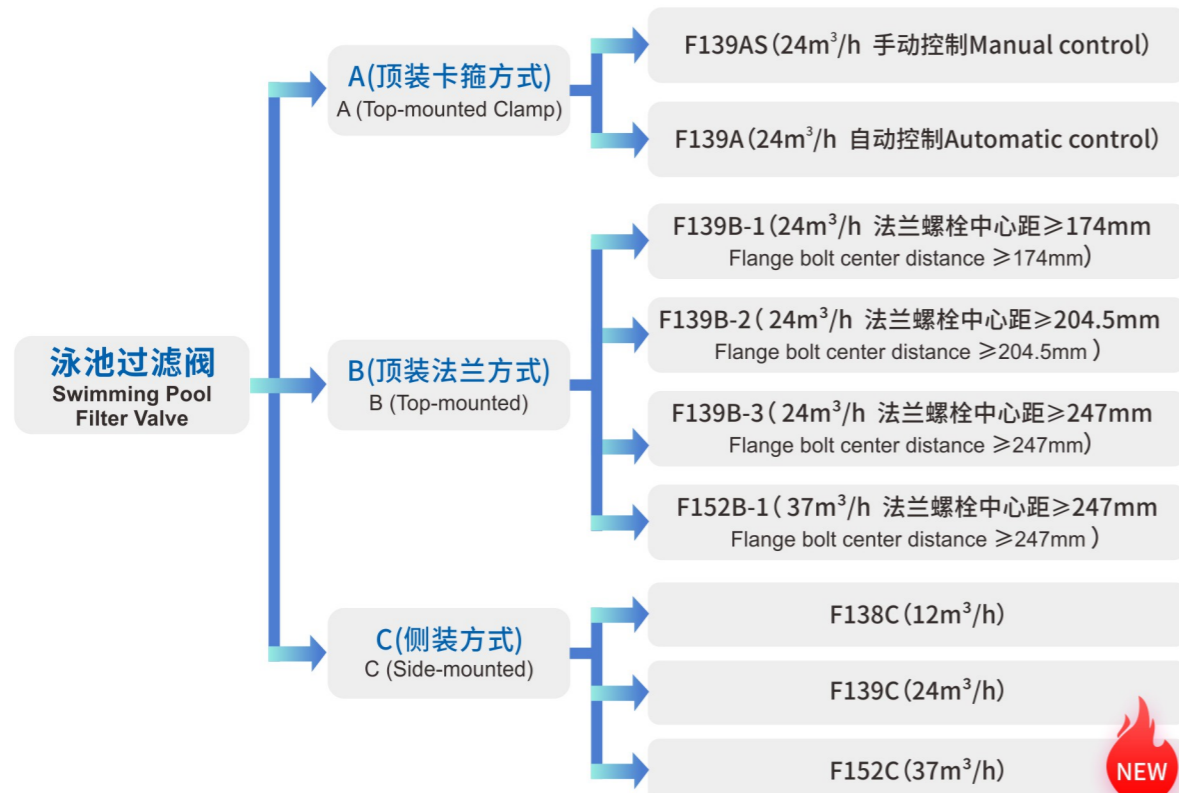


动片
Moving disk



产品分类

Classification of Swimming Pool Valves



润新泳池过滤阀型号规格表

Swimming Pool Filter Valve Model Specification List

原型号 Old model	新型号 New model	进/出/排水口 (UPVC胶接) Inlet/outlet/drain (UPVC glue)	中心管 Riser pipe	流量m ³ /h Flow rate	基座 Base		备注 Remark		
					中心圆 Center circle	螺栓孔距 Bolt hole			
F138C	53512C	1.5"D-GB (外径50mm UPVC管) 1.5"D-GB (50mm OD UPVC pipe)	—	12	/		侧装 Side-mounted		
F139C	53524C	2"D-GB(外径63.3 mm UPVC管)或2.375"OD (外径60.3mmUPVC管) 2"D-GB (63.3mmOD UPVC pipe) or 2.375"OD (60.3mmOD UPVC pipe)	—	24	/		侧装 Side-mounted		
F152C	53535C	2"D-GB(外径63.3mm UPVC管)或2.375"OD (外径60.3mmUPVC管) 或2-1/2"-GB(内径 75.35mmUPVC接头) 2"D-GB(63.3mm OD UPVC pipe) or 2.375"OD(60.3mm OD UPVC pipe) or 2-1/2"-GB(75.35mm ID UPVC pipe)	—	37	/		侧装 Side-mounted		
F139A	53524	2"D-GB(外径63.3 mm UPVC管)或2.375"OD (外径60.3mmUPVC管) 2"D-GB (63.3mmOD UPVC pipe) or 2.375"OD (60.3mmOD UPVC pipe)	1.5"D-GB or 1.9"OD	24	适用罐口内直径 ≥ 150mm Suitable for tank with external diameter of 150mm or greater		顶装卡箍 Top-mounted Clamp		
F139AS	51524						顶装卡箍 Top-mounted Clamp 手动 Manual		
F139B-1	53524B-1	2"D-GB(外径63.3 mm UPVC管)或2.375"OD (外径60.3mmUPVC管) 2"D-GB (63.3mmOD UPVC pipe) or 2.375"OD (60.3mmOD UPVC pipe)	1.5"D-GB or 1.9"OD	24	适用罐口内直径 ≥ 150mm Suitable for tank with external diameter of 150mm or greater	8 × φ8.5	顶装 法兰 Top-mounted Flange		
F139B-2	53524B-2							φ204.5 (适用罐口内直径 ≥ 171.5mm) Suitable for tank with external diameter of 171.5mm or greater	8 × φ10
F139B-3	53524B-3							φ247 (适用罐口内直径 ≥ 209mm) Suitable for tank with external diameter of 209mm or greater	12 × φ10.5
F152B-1	53535B-1	2"D-GB(外径63.3mm UPVC管)或2.375"OD (外径60.3mmUPVC管) 或2-1/2"-GB(内径 75.35mmUPVC接头) 2"D-GB(63.3mm OD UPVC pipe) or 2.375"OD(60.3mm OD UPVC pipe) or 2-1/2"-GB(75.35mm ID UPVC pipe)	2"D-GB or 2.375"OD	37	适用罐口内直径 ≥ 209mm Suitable for tank with external diameter of 209mm or greater	12 × φ10.5	顶装 法兰 Top-mounted Flange		

润新手动泳池过滤阀

Runxin Manual Swimming Pool Filter Valves

VS 同类产品

Similar Products

产品 Products			
	润新手动泳池过滤阀 Runxin Manual Swimming Pool Filter Valve	某品牌手动泳池过滤阀 Certain Brand Manual Swimming Pool Filter Valve	某品牌手动阀组 Certain Brand Manual Valve Group
密封结构 Sealing Structure	特种陶瓷端面密封 Special Ceramic Hermetic Head Faces Sealing Structure	橡胶/塑料密封 Rubber/Plastic Sealing	橡胶/塑料密封 Rubber/Plastic Sealing
操作方式 Operation Method	无需停泵 旋转手柄即可切换工位 No need to stop pump Rotate the handle to switch position	建议先关闭水 再压住手柄提起阀芯方可 旋转切换工位 It is advised to close water before suppressing the handle to lift valve core and switch the position	需要单独操作一个个阀门， 才能完成工位转换，较繁琐 It requires operating each valve individually to complete the change of position.
带压操作 Operation with Pressure	可以 Yes	不建议 Not recommended	不建议 Not recommended
使用寿命 Lifetime	长 耐磨损，不易泄漏 Long Wear resistant and not prone to leakage	短 切换过程橡胶件密封易脱落 损坏，不耐磨损，易泄漏 Short During the switching process, the rubber seals are prone to shedding or damage, not wear-resistant and easy to leak	短 不耐磨损，易泄漏 Short Not wear-resistant and easy to leak
管路连接 Tube Connection	简单 Simple	简单 Simple	复杂 Complex
安装方式 Installation Method	顶装或侧装 Top-mounted or side-mounted	顶装或侧装 Top-mounted or side-mounted	侧装 Side-mounted

润新自动泳池过滤阀

Runxin Automatic Swimming Pool Valve

VS 同类产品

Similar Products

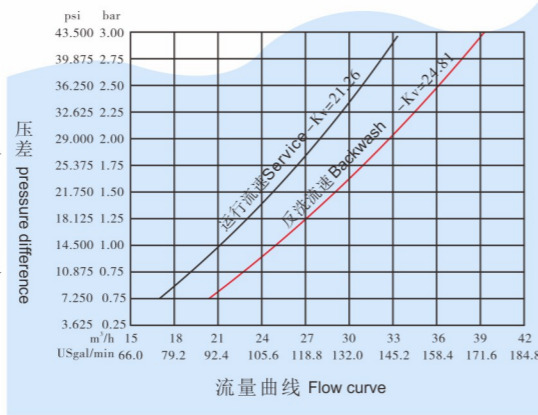
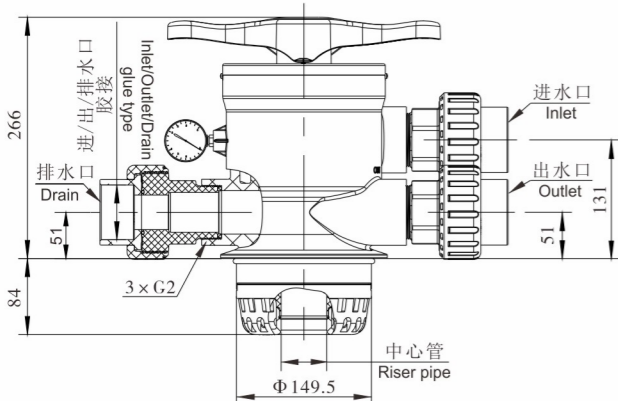
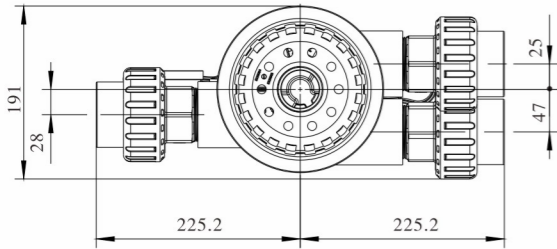
产品 Product			
	润新自动泳池过滤阀 Runxin Automatic Swimming Pool Valve	某公司自动泳池阀 Certain Company's Automatic Swimming Pool	某公司阀组控制 Certain Company's Valve Group Control
密封材质 Sealing Material	特种陶瓷 Special ceramic	橡胶/塑料 Rubber/plastic	橡胶/塑料 Rubber/plastic
产品结构 Product Structure	一体式 上下紧密连接 Integrated Tightly bound	分体式 加装执行器 Separated Addition of actuators	多阀组合控制 线路复杂 Multiple valves group control Complex wiring
使用寿命 Lifespan	长 耐磨损，不易泄漏 Long Wear-resistant and not prone to leakage	短 切换过程橡胶件密封易脱落 损坏，不耐磨损，易泄漏 Short During the switching process, the rubber seals are prone to shedding or damage, not wear-resistant and easy to leak	短 不耐磨损，易泄漏 Short Not wear-resistant and easy to leak
管路连接 Tube Connection	简单 Simple	简单 Simple	复杂 Complex
远程控制 Remote Control	是 带RS-485通信端口 Yes With RS-485 communication port	否 No	否 No
安装方式 Installation Method	顶装或侧装 Top-mounted or side-mounted	顶装或侧装 Top-mounted or side-mounted	侧装 Side-mounted
电压安全 Voltage Safety	安全性好 DC24V直流电 Good safety DC24V direct current	安全性较差 AC220V交流电 Poor safety AC220V alternating current	安全性较差 AC220V交流电 Poor safety AC220V alternating current



手动泳池过滤阀

Manual Swimming Pool Filter Valves

顶装卡箍连接
Top-mounted Clamp Connection



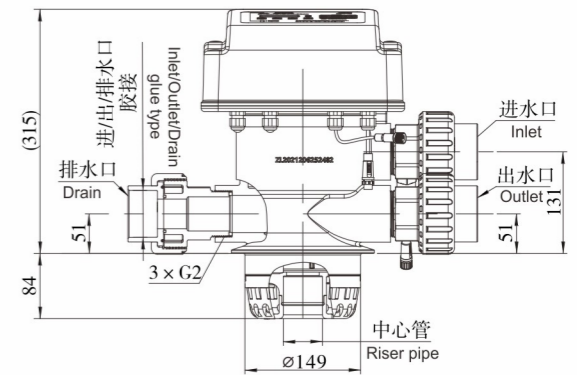
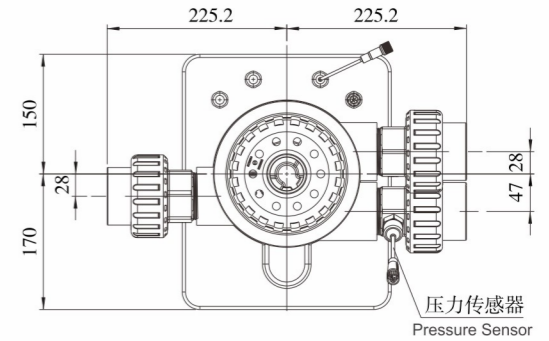
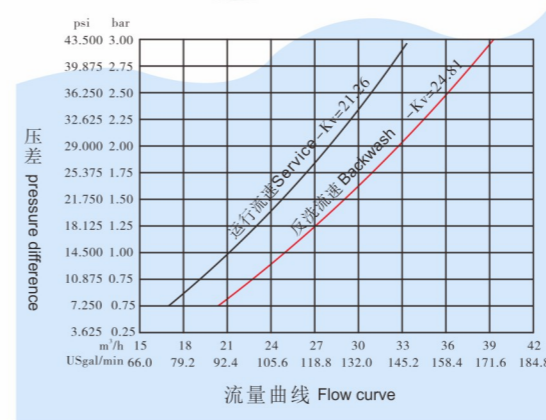
型号 Model	接口尺寸Connector size			反洗流量m³/h @0.1MPa Backwash flow rate@0.1MPa	备注 Remark
	进/出/排水口 (UPVC胶接) Inlet/outlet/drain (UPVC glue)	基座 Base	中心管 Riser pipe		
F139AS	2"D-GB(外径63.3 mm UPVC管)或 2.375"OD (外径60.3mmUPVC管) 2"D-GB (63.3mmOD UPVC pipe) or 2.375"OD (60.3mmOD UPVC pipe)	卡箍方式 (适用罐口内直径≥150mm) Clamp connection (Suitable for tank with external diameter of 150 mm or greater)	1.5"D-GB(外径50mm) 或1.9"OD(外径48.3mm) 1.5"D-GB (50mm OD) or 1.9"OD (48.3mm OD)	24	手动 Manual

注:F139AS中心管有国标1.5"D-GB和美标1.9"OD两种,进/出/排水口胶接有国际2"D-GB和美标2.375"OD两种,请根据需要订货。
Remark: For F139AS, two riser pipe options: Chinese standard 1.5"D-GB or US standard 1.9"OD. Two glued connection options for inlet/outlet/drain: Chinese standard 2"D-GB or US standard 2.375"OD. Please specify when ordering.

自动泳池过滤阀

Automatic Swimming Pool Filter Valve

顶装卡箍连接
Top-mounted Clamp Connection



- 自动冲洗(压力或时间触发) Automatic start backwash by pressure or time
- 带停/断电防排空电磁阀端口 Has the port to connect the NC solenoid valve which can prevent water be discharged when power off
- 带RS-485通信端口 With RS-485 communication port

型号 Model	接口尺寸Connector size			反洗流量m³/h @0.1MPa Backwash flow rate@0.1MPa	备注 Remark
	进/出/排水口 (UPVC胶接) Inlet/outlet/drain (UPVC glue)	基座 Base	中心管 Riser pipe		
F139A	2"D-GB(外径63.3 mm UPVC管)或 2.375"OD (外径60.3mmUPVC管) 2"D-GB (63.3mmOD UPVC pipe) or 2.375"OD (60.3mmOD UPVC pipe)	卡箍方式 (适用罐口内直径≥150mm) Clamp connection (Suitable for tank with external diameter of 150mm or greater)	1.5"D-GB(外径50mm) 或1.9"OD(外径48.3mm) 1.5"D-GB (50mm OD) or 1.9"OD (48.3mm OD)	24	自动 (压力或时间启动反冲洗) Automatic (start backwash by pressure or time)

注:F139A适用的电源适配器输出为DC24V、1.5A。
F139A中心管有国标1.5"D-GB和美标1.9"OD两种,进/出/排水口胶接有国际2"D-GB和美标2.375"OD两种,请根据需要订货。

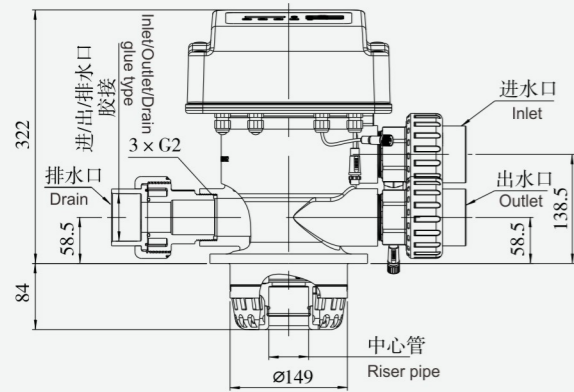
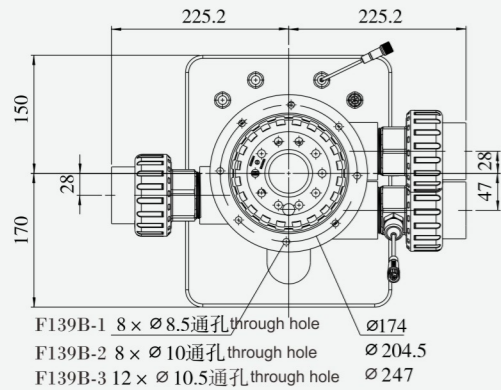
Remark: The output of F139A transformer is DC24V,1.5A.
For F139A, two riser pipe options: Chinese standard 1.5"D-GB or US standard 1.9"OD. Two glued connection options for inlet/outlet/drain: Chinese standard 2"D-GB or US standard 2.375"OD. Please specify when ordering.



自动泳池过滤阀

Automatic Swimming Pool Filter Valve

顶装法兰连接
Top-mounted Flange Connection



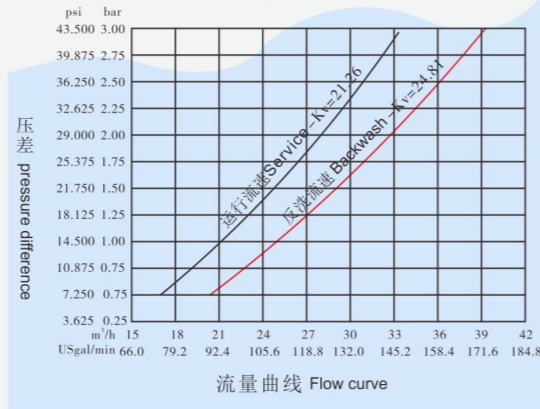
F139B

24m³/h



压力传感器

Pressure Sensor



- 自动冲洗 (压力或时间触发) Automatic start backwash by pressure or time
- 带停/断电防排空电磁阀端口 Has the port to connect the NC solenoid valve which can prevent water be discharged when power off
- 带RS-485通信端口 With RS-485 communication port

型号 Model	进/出/排水口(UPVC胶接) Inlet/outlet/drain (UPVC glue)	基座(法兰连接) Base (flange connecting)			中心管 Riser pipe	反洗流量 Backwash flow rate
		中心圆 Center circle	螺栓孔 Bolt hole	罐口内直径 Internal diameter of tank		
F139B-1	2"D-GB(外径63.3 mm UPVC管) 或 2.375"OD (外径60.3mmUPVC管)	φ174	8xφ8.5	≥150mm	1.5"D-GB(外径50mm) 或1.9"OD(外径48.3mm)	24 m ³ /h @0.1MPa
F139B-2	2"D-GB (63.3mmOD UPVC pipe) or 2.375"OD (60.3mmOD UPVC pipe)	φ204.5	8xφ10	≥171.5mm	1.5"D-GB (OD 50mm) or 1.9"OD (OD 48.3mm)	
F139B-3	2"D-GB (63.3mmOD UPVC pipe) or 2.375"OD (60.3mmOD UPVC pipe)	φ247	12xφ10.5	≥209mm	2"D-GB(外径63mm)或 2.375"OD(外径60.3mm) 2"D-GB (63mmOD) or 2.375"OD (60.3mmOD)	

注: F139B适用的电源适配器输出为DC24V, 1.5A。F139B中心管有国标1.5"D-GB和标1.9"OD两种, 进/出/排水口胶接有国际2"D-GB和美标2.375"OD两种, 请根据需要订货。

Remark: The output of F139B transformer is DC24V, 1.5A. For F139B, two riser pipe options: Chinese standard 1.5"D-GB or US standard 1.9"OD. Two glued connection options for inlet/outlet/drain: Chinese standard 2"D-GB or US standard 2.375"OD. Please specify when ordering.

自动泳池过滤阀

Automatic Swimming Pool Filter Valve

顶装法兰连接
Top-mounted Flange Connection

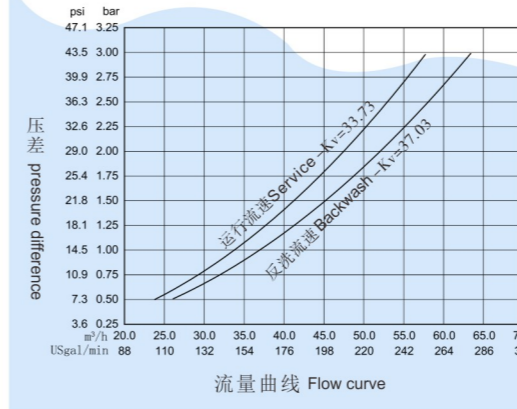
F152B

37m³/h



压力传感器

Pressure Sensor



- 自动冲洗 (压力或时间触发) Automatic start backwash by pressure or time
- 带停/断电防排空电磁阀端口 Has the port to connect the NC solenoid valve which can prevent water be discharged when power off
- 带RS-485通信端口 With RS-485 communication port

型号 Model	进/出/排水口(UPVC胶接) Inlet/outlet/drain (UPVC glue)	基座(法兰连接) Base (flange connecting)			中心管 Riser pipe	反洗流量 Backwash flow rate
		中心圆 Center circle	螺栓孔 Bolt hole	罐口内直径 Internal diameter of tank		
F152B-1	2"D-GB (外径63.3mmUPVC管) 或2.375"OD (外径60.3mmUPVC管) 或2-1/2"-GB (内径75.35mmUPVC接头接头) 2"D-GB (63.3mm OD UPVC pipe) or 2.375"OD (60.3mm OD UPVC pipe) or 2-1/2"-GB (75.35mm ID UPVC connector)	φ247	12xφ10.5	≥209mm	2"D-GB(外径63.3mm UPVC管)或2.375"OD (外径60.3mmUPVC管) 2"D-GB (63.3mm OD UPVC pipe) or 2.375"OD (60.3mm OD UPVC pipe)	37 m ³ /h @0.1MPa

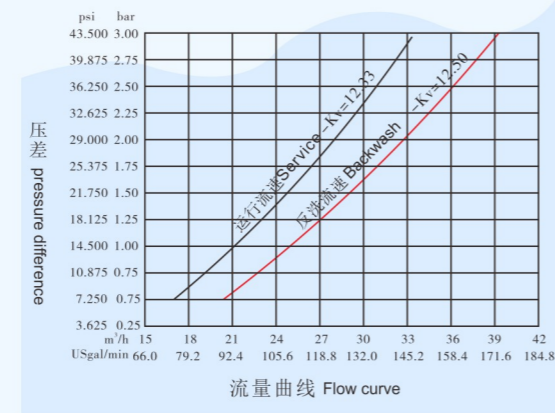
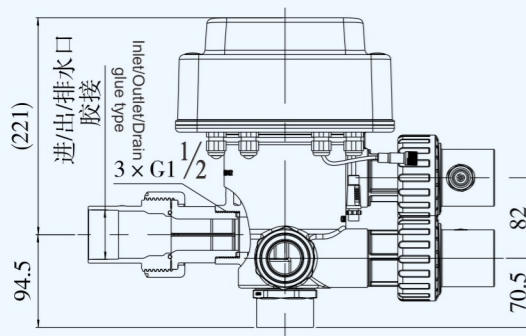
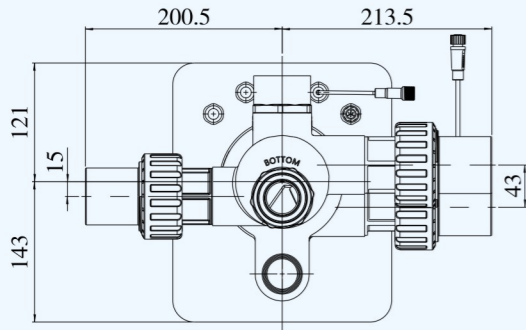
注: F152B适用的电源适配器输出为DC24V, 1.5A。Remark: The output of F152B transformer is DC24V, 1.5A



自动泳池过滤阀

Automatic Swimming Pool Filter Valve

侧装连接
Side-mounted Connection



- 自动冲洗 (压力或时间触发) Automatic start backwash by pressure or time
- 带停/断电防排水电磁阀端口 Has the port to connect the NC solenoid valve which can prevent water be discharged when power off
- 带RS-485通信端口 With RS-485 communication port

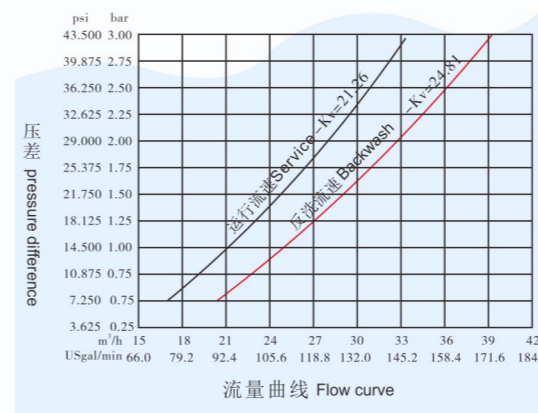
型号 Model	进/出/排水口(UPVC胶接) Inlet/outlet/drain (UPVC glue)	上下布水口连接 (UPVC胶接) Top and bottom strainer connector(UPVC glue)	反洗流量 Backwash flow rate
F138C	1.5"D-GB(外径50mm) 1.5"D-GB (50mm OD)	1.5"D-GB(外径50mm) 1.5"D-GB (50mm OD)	12 m³/h @0.1MPa

注:F138C适用的电源适配器输出为24V、1.5A
Remark: The output of F138C transformer is DC24V,1.5A

自动泳池过滤阀

Automatic Swimming Pool Filter Valve

侧装连接
Side-mounted Connection



- 自动冲洗 (压力或时间触发) Automatic start backwash by pressure or time
- 带停/断电防排水电磁阀端口 Has the port to connect the NC solenoid valve which can prevent water be discharged when power off
- 带RS-485通信端口 With RS-485 communication port

型号 Model	进/出/排水口(UPVC胶接) Inlet/outlet/drain (UPVC glue)	上下布水口连接 (UPVC胶接) Top and bottom strainer connector(UPVC glue)	反洗流量 Backwash flow rate
F139C	2"D-GB(外径63.3 mm UPVC管) 或 2.375"OD(外径60.3mmUPVC管) 2"D-GB (63.3mmOD UPVC pipe) or 2.375"OD(60.3mmOD UPVC pipe)	2"D-GB(外径63.3 mm UPVC管) 或 1.5"D-GB(外径50mm) 2"D-GB (63.3mm OD UPVC pipe) or 1.5"D-GB (50mm OD)	24 m³/h @0.1MPa

注:F139C适用的电源适配器输出为24V、1.5A
Remark: The output of F139C transformer is DC24V,1.5A

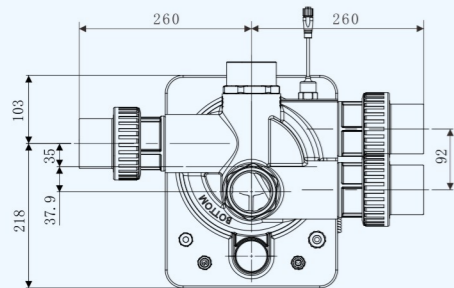


自动泳池过滤阀

Automatic Swimming Pool Filter Valve

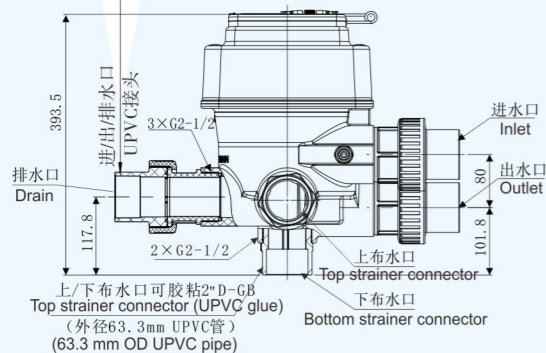
侧装连接

Side-mounted Connection



Inlet/outlet/drain (UPVC glue)

- 1 可胶粘UPVC glue 2-1/2"-GB
(内径75.35mmUPVC接头 75.35mm ID UPVC connector)
- 2 可胶粘UPVC glue 2"D-GB
(外径63.3mmUPVC管 63.3mm OD UPVC pipe)
- 3 可胶粘UPVC glue 2.375"OD
(外径60.3mmUPVC管 60.3mm OD UPVC pipe)



- 进/出/排水口采用胶粘方式 The inlet, outlet and drain use glue connection
- 自动冲洗(压力或时间触发) Automatic start backwash by pressure or time
- 带停/断电防排空电磁阀端口 Has the port to connect the NC solenoid valve which can prevent water be discharged when power off
- 带RS-485通信端口 With RS-485 communication port

型号 Model	进/出/排水口 (UPVC胶接) Inlet/outlet/drain (UPVC glue)	上下布水口胶接 (UPVC胶接) Top and bottom strainer connector (UPVC glue)	反洗流量m ³ /h @0.1MPa Backwash flow rate@0.1MPa	备注 Remark
F152C	2"D-GB (外径63.3mmUPVC管) 或2.375"OD (外径60.3mmUPVC管) 或2-1/2"-GB (内径75.35mmUPVC接头) 2"D-GB (63.3mm OD UPVC pipe) or 2.375"OD (60.3mm OD UPVC pipe) or 2-1/2"-GB (75.35mm ID UPVC pipe)	2"D-GB (外径63.3mmUPVC管) 2"D-GB (63.3mm OD UPVC pipe)	37	自动 (压力或时间 启动反冲洗) Automatic (start backwash by pressure or time)

注: F152C适用的电源适配器输出为DC24V、1.5A
Remark: The output of F152C transformer is DC24V, 1.5A

新品上市

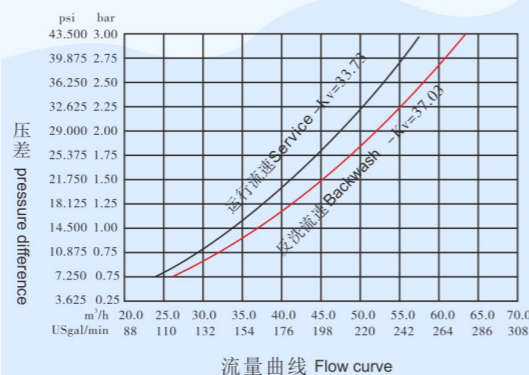
F152C

37m³/h



压力传感器

Pressure
Sensor



泳池一体化设备

Integrated Swimming Pool Equipment



特种陶瓷密封

Special ceramic sealing



耐磨损

Wear resistance

管路连接合理

Reasonable pipeline
connection

安装方便

Easy to install

无须专用机房

No need
equipment room

- 该设备由过滤沙缸、水泵、投药器、泳池自动过滤阀组合, 满足泳池一机多用的需求
- 适用于泳池、温泉、SPA、海洋馆等
- 结构简单、管路连接合理、安装方便

- The equipment composed of filtering sand tank, water pump, dosing device and swimming pool filter valve. Its complete configuration can meet the requirements of one machine for multiple purposes in the swimming pool.
- Suitable for swimming pool, hot spring, SPA, aquarium and so on.
- The equipment has simpler structure, reasonable pipeline, and convenient installation.

APPLICATION CASES

应用案例



▲广州某用户别墅泳池
A Villa Swimming Pool in Guangzhou



▲广州某高尔夫会所水疗池
Guangzhou Golf Club Spa Pool



▲浙江安吉某水上乐园
A Water Park in Anji, Zhejiang



▲山东某泳池公司过滤设备
Shandong Pool Company Filtration Equipment



▲山东烟台某小区景观池
Yantai Shandong Residential Landscape Pool



▲沈阳某环保公司景观池
Shenyang Environment Protection
Company Landscape Pool

